

Masport[®] Heating

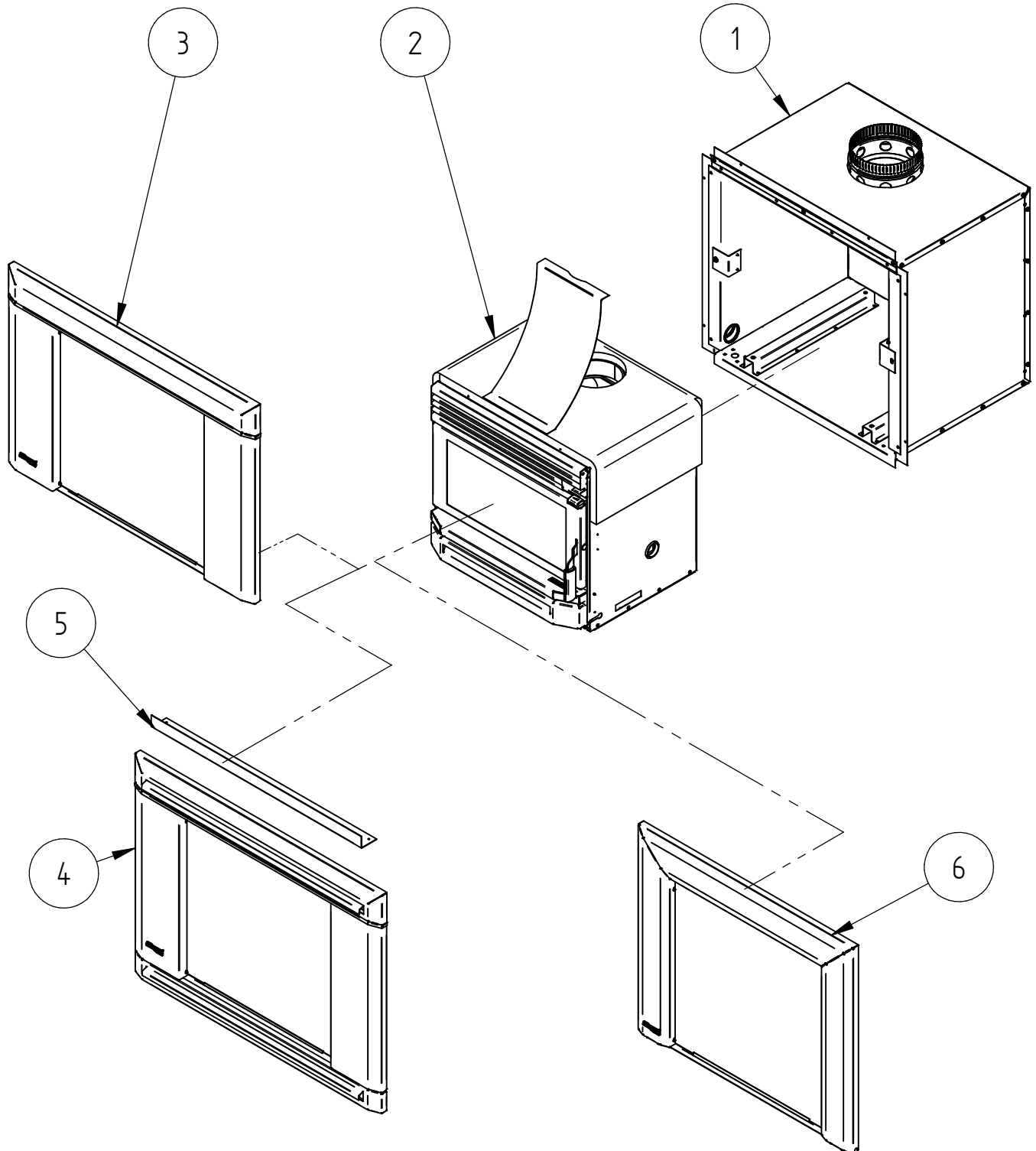
INSERT & INBUILT WOOD FIRES

LE4000 NEW ZEALAND						
DESCRIPTION	ITEM NO.	MARKET	FUEL TYPE	FINISH	YEAR	FAN
Fire Box	995982	NZ	SOFTWOOD	-NA.-	JAN-2007	YES
Slim Fascia	995987			Blue Black Power Coating		-NA.-
Wide Fascia	995967			Black Power Coating		
ZC Fascia	995969					
ZC box	995984					

KIT CODE	DESCRIPTION	CONTENTS
MAW2056	LE4000 PROV WIDE FASCIA	995982 + 995967
MAW2057	LE4000 PROV Z/C	995982 + 995969 + 995984
MAW2059	LE4000 PROV SLIM FASCIA	995982 + 995987



OVER ALL SCHEMATIC FOR LE4000 (NZ) MASONRY & INBUILT / ZC COMPONENTS

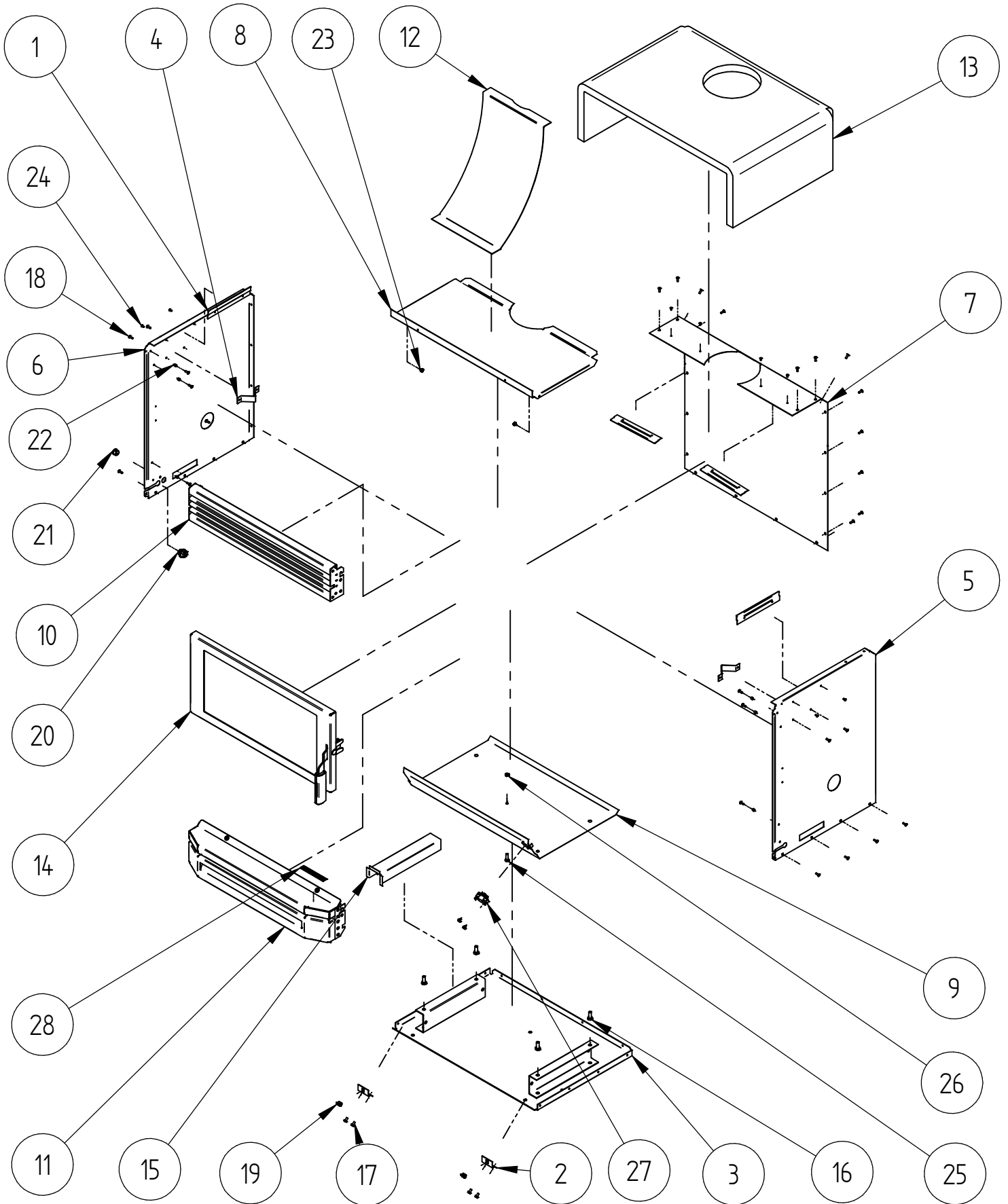


When ordering PLEASE QUOTE PART ID along with Finish Suffix (if applicable)

FASCIA AND ZERO CLEARANCE BOX				
ITEM	Part ID	Model	Descriptions	Qty
		995982		
1	995984	-	ZERO CLEARANCE BOX LE4000 PRO	1
2	995982	-	W/F LE4000 PROV INB 06 MAT BLK ENL	1
3	995967	-	FASCIA LE4000 PROV BEV BLK PC	1
4	995969	-	FASCIA LE4000 PROV Z/C BEV BLK PC	1
5	993145	-	SUPPORT-ANGLE, ZC KT LE5 PRO	1
6	995987	-	FASCIA LE4 PROV SLIM BLU BLK P/C	1

When ordering PLEASE QUOTE PART ID along with Finish Suffix (if applicable)

PANELS, DOOR AND PEDESTAL

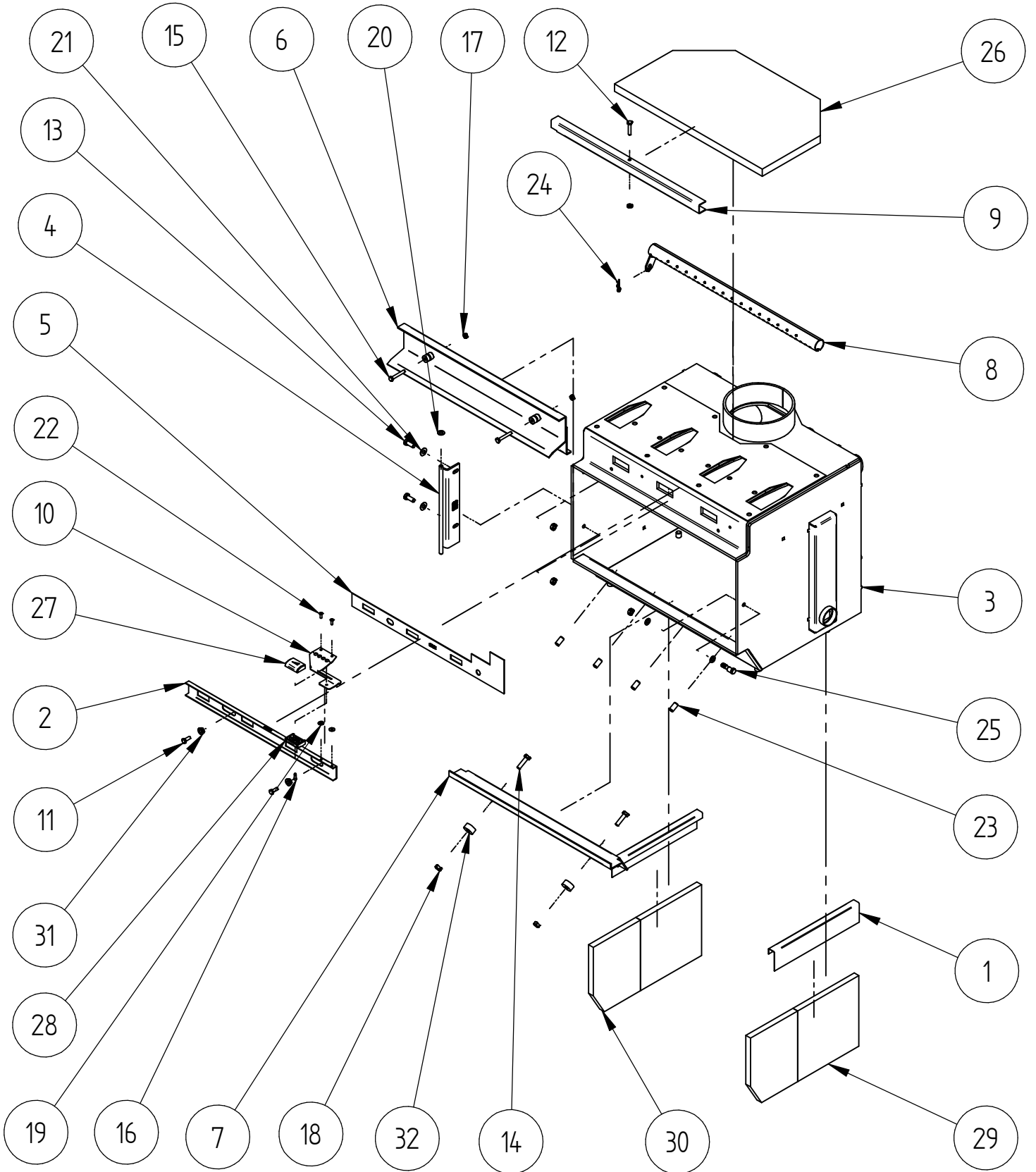


When ordering PLEASE QUOTE PART ID along with Finish Suffix (if applicable)

PANELS, DOOR AND PEDESTAL				
Item	Part ID	Model(s)	Description	Qty
		995982		
1	986514	-	CASE OUTER, GUIDE RAIL LE	4
2	990281	-	PLATE LATCH LOUVRE INBUILT	2
3	993129	-	BASE ASSEMBLY, LE5 PROV	1
4	993192	-	CASE - SPACER, LE4 PROV	2
5	993193	-	CASE OUTER, SIDFE RH LE4 PROV	1
6	993194	-	CASE OUTER, SIDE LH LE4 PROV	1
7	993195	-	CASE - OUTER, REAR LE4 PROV	1
8	993196	-	CASE OUTER TOP LE4 PROV	1
9	993232	-	HEATSHIELD - BOTTOM, LE4	1
10	993243	E01	LOUVRE ASSY - TOP, LE4 PROV	1
11	993244	E01	FANBOX ASSY, LE4 PROV	1
12	993250	-	FLUE SHIELD, LE4 PROV	1
13	993251	-	INSULATION-OUTER CASE LE4	1
14	993284	E01	DOOR ASSY COMPL, LE4 MAT BLK ENL	1
15	993296	-	SHIELD-LOOM, LE4	1
16	521066	-	SCREW; M8X20 HEX ZP	4
17	521620	-	SCREW; S/T 10GX3/8" HEX FLANGE SLOT BLK	4
18	524006	-	RIVET; 73 AS 5-5	36
19	529100	-	RECEPTACLE; BLK DZUSSZ5 285-102161	2
20	529201	-	CLAMP; CABLE 16 LITTLE GRIPPER	1
21	529400	-	GROMMET; PLASTIC 22-PLB16	1
22	586148	-	SPACER-GRILLE - BLUE FINISH	6
23	521635	-	SCREW; S/T 10GX3/8" HEX FLANGE BLK	4
24	524008	-	RIVET; 73 MS 4-2	8
25	521054	-	SCREW; M6X20 HEX ZP	1
26	522117	-	NUT; HEX STD M6 ZP	1
27	591119	-	THERMODISC-FAN 60T12	1
28	595695	-	DECAL "BURN ONLY" COMBINED NZ/AUS	1

When ordering PLEASE QUOTE PART ID along with Finish Suffix (if applicable)

AIRSLIDE, BAFFLE, BRICKS AND FIREBOX

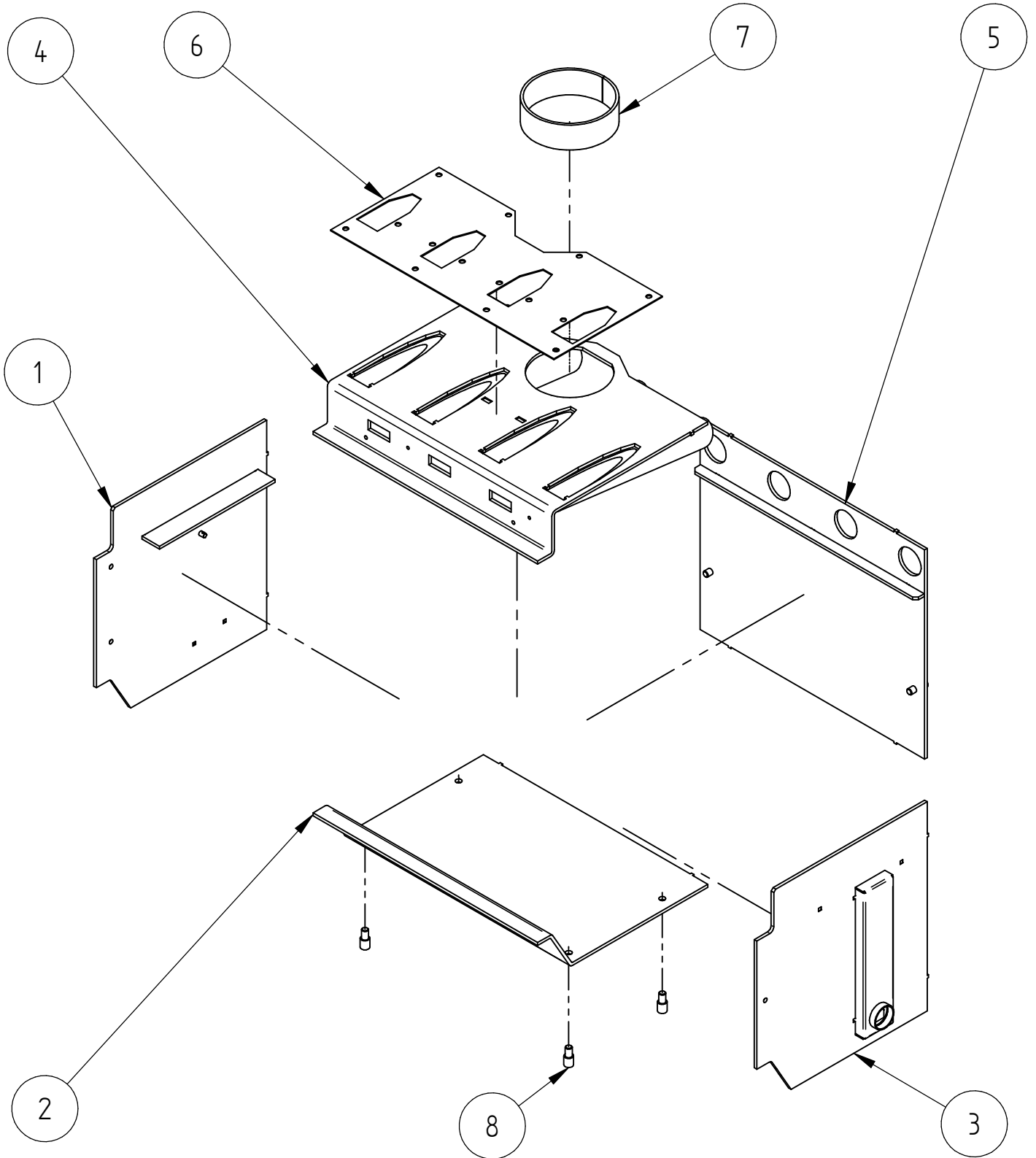


When ordering PLEASE QUOTE PART ID along with Finish Suffix (if applicable)

AIRSLIDE, BAFFLE, BRICKS AND FIREBOX				
Item	Part ID	Model(s)	Description	Qty
		995982		
1	987812	-	CHANNEL BRICK RETAINER LE2000	2
2	993205	-	SLIDE - AIR INLET LE4 PROV	1
3	993210	-	FIREBOX ASSY LE4 PROV	1
4	993225	-	HINGE ASSY LE4 PROVINCIAL	1
5	993231	-	PLATE - METERING, LE4 PROV	1
6	993233	-	AIR DEFLECTOR SUB-ASSY LE4 PROV	1
7	993237	-	PLATE - BASE AIR, LE4 PROV	1
8	993239	-	TUBE-SEC AIR ASSY,49X3.5 LE4 PR S/S	1
9	993256	-	CHANNEL - BAFFLE, REINFORCING	1
10	995149	-	EXT'N SLIDE AIR LE4 PR	1
11	521052	-	SCREW; M6X16 HEX BLK	2
12	521059	-	SCREW; M6X30 HEX ZP	1
13	521066	-	SCREW; M8X20 HEX ZP	2
14	521068	-	SCREW; M8X30 HEX ZP	2
15	521077	-	SCREW; M6X40 HEX ZP	2
16	521650	-	SCREW; 6Gx1/2" S/S TYPE 25 C/S POZI	1
17	522117	-	NUT; HEX STD M6 ZP	3
18	522118	-	NUT; HEX STD M8 ZP	5
19	523000	-	WASHER; FLAT 3/16"X1/2"X18G ZP	2
20	523018	-	WASHER; FLAT 5/16"X5/8" BLK	3
21	523034	-	WASHER; FLAT M8X19X1.6 ZP	2
22	524006	-	RIVET; 73 AS 5-5	2
23	525000	-	PIN; TENSION 10X20 BLK	4
24	526101	-	CLIP; R-CLIP 1.8 DIA ST	1
25	587516	-	PIN-DOOR LATCH	1
26	593247	-	BOARD-FIREBOX TOP LE4 PROV	1
27	593650	-	13000 AIRSLIDE KNOB TOP HILO	1
28	593651	-	AIRSLIDE KNOB BOTTOM LH	1
29	594583	-	BOARD-F/B BCK 15MM LE2 04	2
30	594637	-	BOARD-F/B SDE 15MM TALISMAN	2
31	595091	-	SPACER - AIR SLIDE, LE PROV	2
32	987841	-	SPACER-BASE, HORIZON	2

When ordering PLEASE QUOTE PART ID along with Finish Suffix (if applicable)

FIREBOX DETAILS

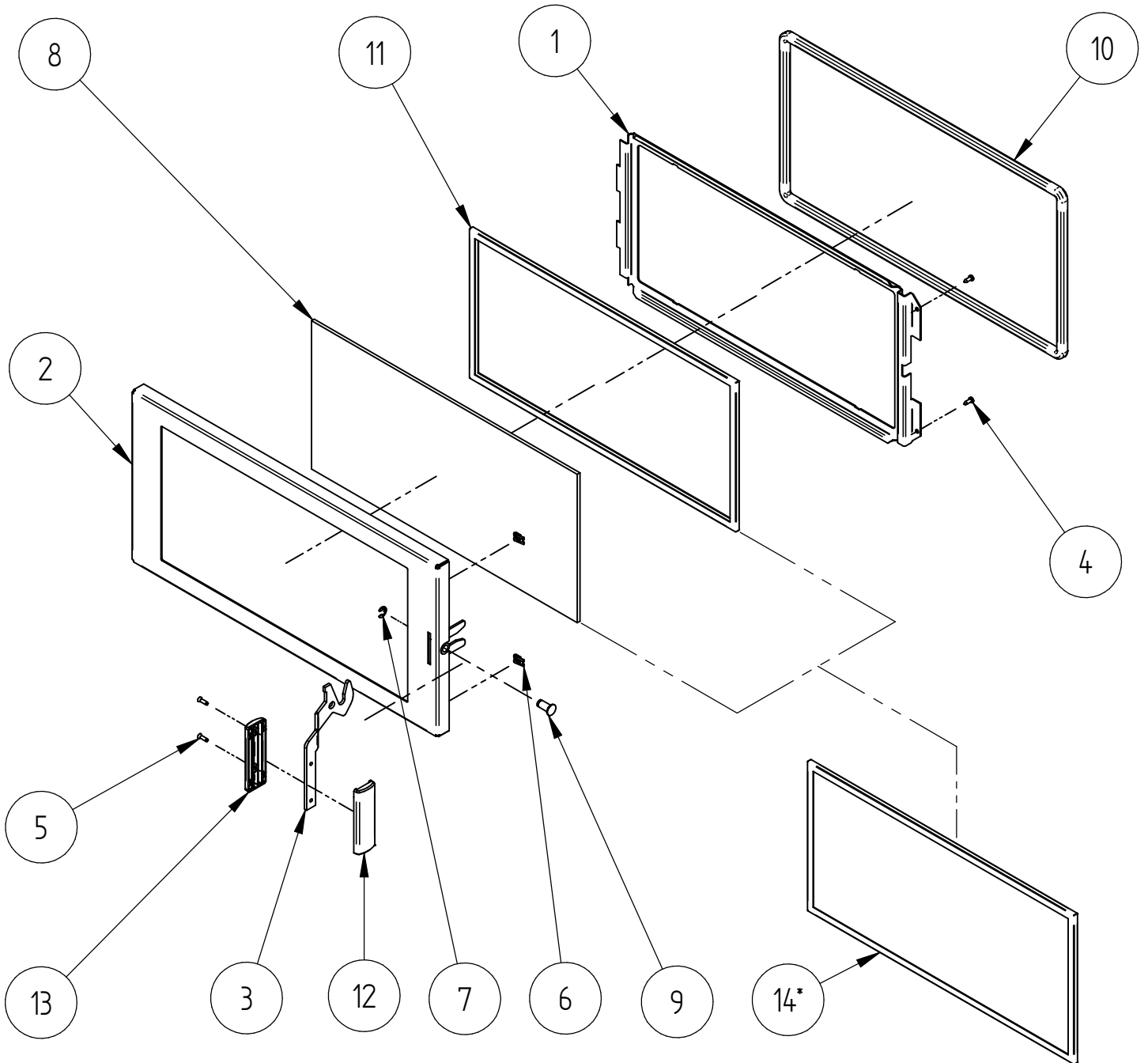


When ordering PLEASE QUOTE PART ID along with Finish Suffix (if applicable)

FIREBOX DETAIL: 993210				
Item	Part ID	Model(s)	Description	Qty
		995982		
1	993258	-	PANEL-ASSY-LH, FIREBOX LE4 PR	1
2	993208	-	PANEL - BOTTOM F/BOX LE4 PROV	1
3	993259	-	PANEL-ASSY-RH, FIREBOX LE4 PR	1
4	993260	-	FIREBOX TOP SUB ASSY LE4	1
5	993261	-	BACK F/B LE4 PROV SUB ASSY	1
6	993257	-	TOP COVER PLATE - LE4 F/BOX	1
7	MET00120	-	SPIGOT	1
8	993229	-	SPACER-BASE,FIREBOX LE4 PR	4

When ordering PLEASE QUOTE PART ID along with Finish Suffix (if applicable)

DOOR ASSEMBLY



When ordering PLEASE QUOTE PART ID along with Finish Suffix (if applicable)

DOOR ASSEMBLY				
Item	Part ID	Model(s)	Description	Qty
		995982		
		993284E01		
1	993220	-	RETAINER GLASS, LE4 PROV	1
2	993242	E01	FRAME-DOOR ASSY LE4 PR BLK P/C	1
3	993295	-	HOOK DOOR LATCH, LE4000	1
4	521619	-	SCREW; S/T 8GX1/2" PAN POZI ZP	2
5	521650	-	SCREW; 6GX1/2" S/S TYPE 25 C/S POZI	2
6	522401	-	NUT; SPIRE SNJ 0116/17/4/6	2
7	526202	-	CLIP; CIRCLIP E-CLIP 8 DIA DIN1500 ETC08	1
8	593234	-	GLASS W/ FIRE 5X503X243	1
9	593276	-	PIN PIVOT DOOR CATCH LE4000	1
10	C15MMDR	-	DOOR ROPE	1
11	C20MMLT	-	TAPE ,FLT 3 X 20 LDR AD BLK X 50m ROLL	1
12	593598	-	13000 DOOR HANDLE FRONT RH PLASTIC	1
13	593599	-	DOOR HANDLE REAR L/H PLASTIC	1
14*	793234	-	DOOR GLASS KIT LE4000 PKG	1

***Optional Sale Kit**

Note: Mar 14 onwards old wooden handles were replaced by 2-piece plastic handles.

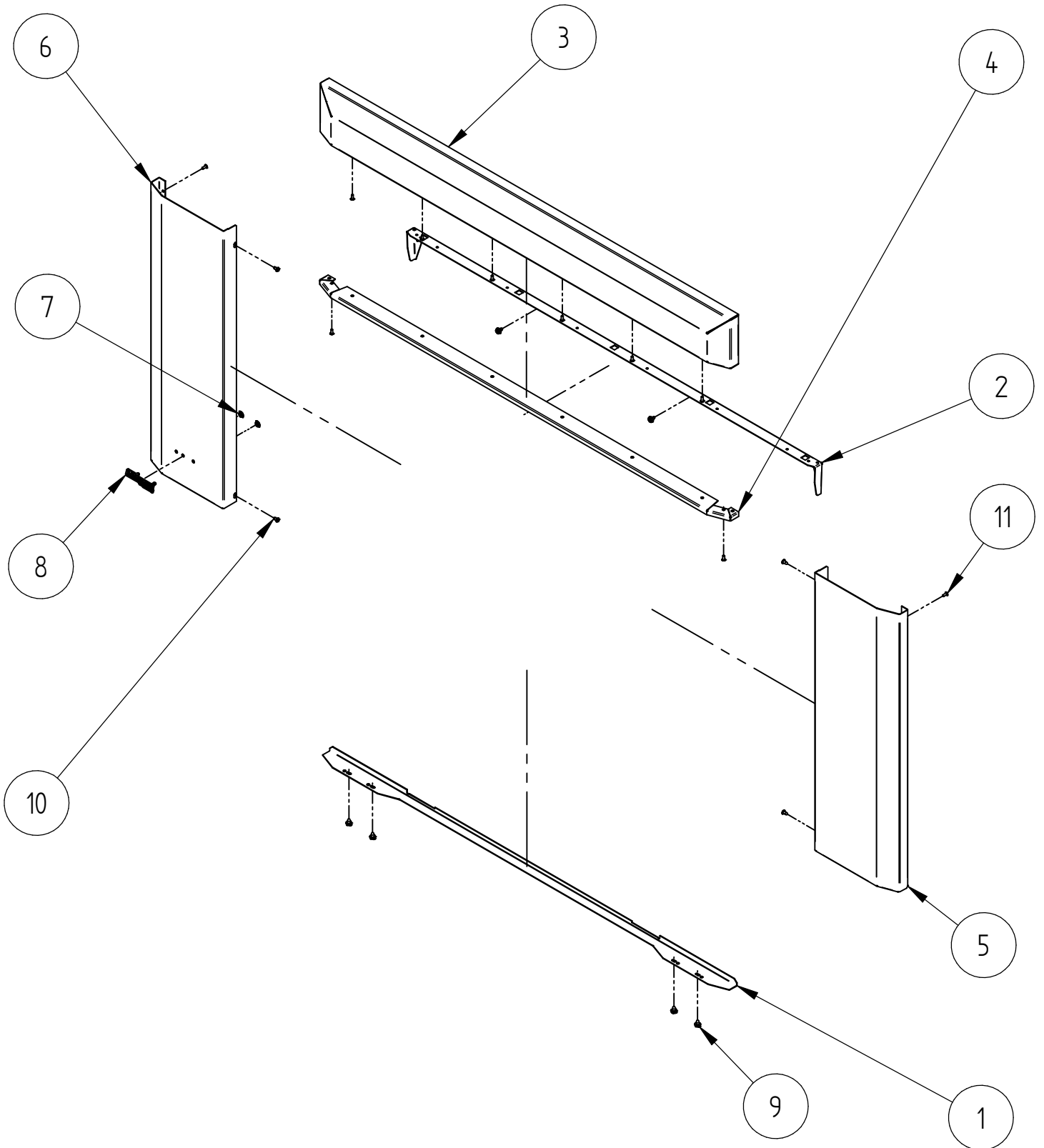
Old wooden handle parts:

1 X 586161 Door Handle

2 X 521628 Screws

Contact Customer service/Engineering Dept. for other parts of wooden handle system (Issue A).

WIDE FASCIA ASSEMBLY

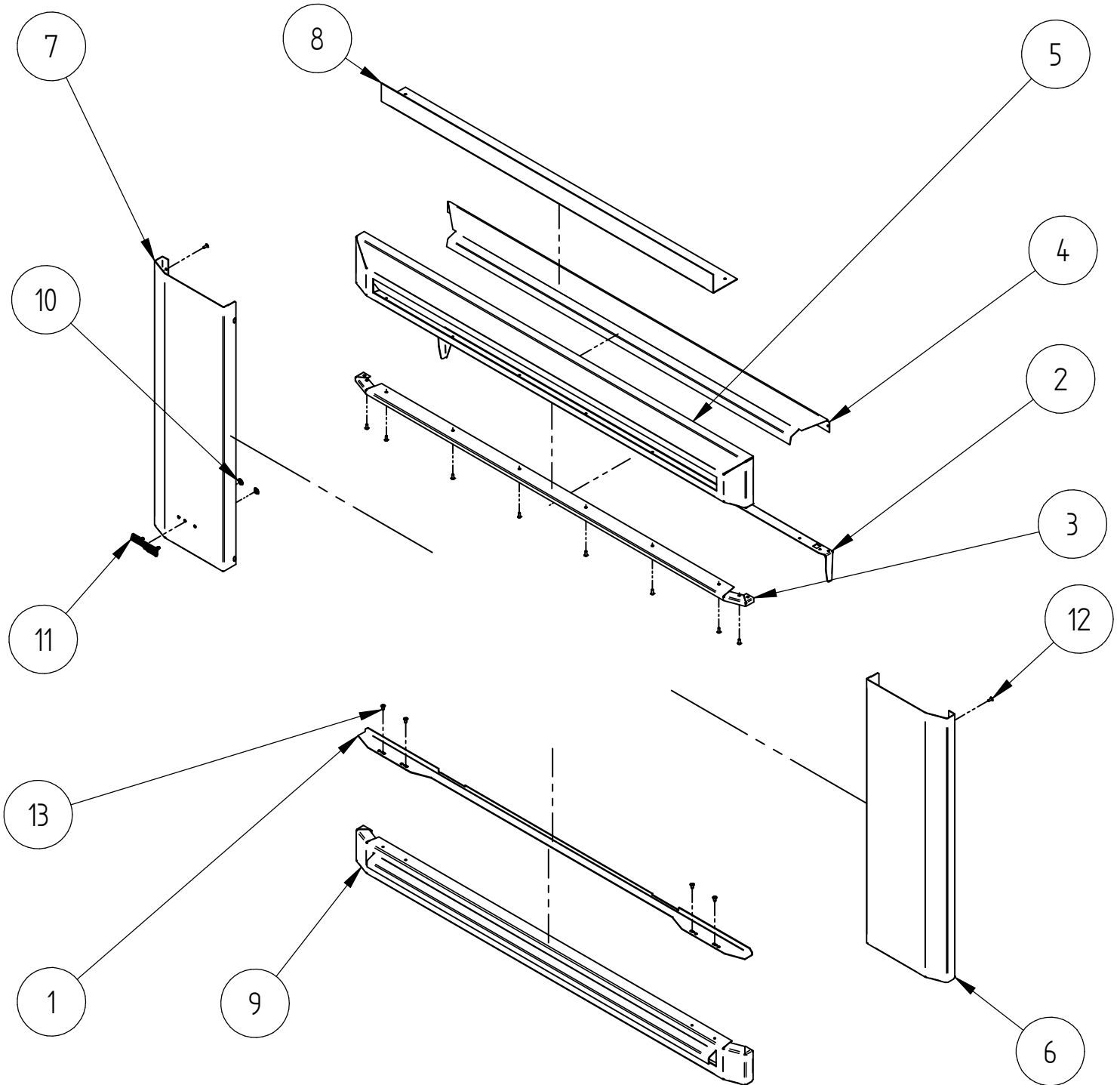


When ordering PLEASE QUOTE PART ID along with Finish Suffix (if applicable)

WIDE FASCIA ASSEMBLY				
Item	Part ID	Model(s)	Description	Qty
		995982		
1	990172	P01	STIFFENER FASCIA INBULT 2K	1
2	990173	P01	BRKT- LOCATING, FASCIA MANTLE	1
3	990181	P01	Box- Louvre, Tall Fascia MG5IN 2K	1
4	990223	P01	Trim-Fascia, MG5IN	1
5	990400	P01	Panel - RH, EIS 03	1
6	993135	P01	PANEL - LH, LE5 PROV	1
7	526001	-	CLIP; STARLOCK 4 DIA SLPO4	2
8	587835	-	BADGE MASPORT HEATING	1
9	521635	-	SCREW; S/T 10GX3/8" HEX FLANGE BLK	6
10	521646	-	SCREW; S/T 8GX3/8" WAFER PHILLIPS NIC	4
11	524010	-	RIVET; 73 AS 4-3 LONG	10

When ordering PLEASE QUOTE PART ID along with Finish Suffix (if applicable)

ZC FASCIA ASSEMBLY

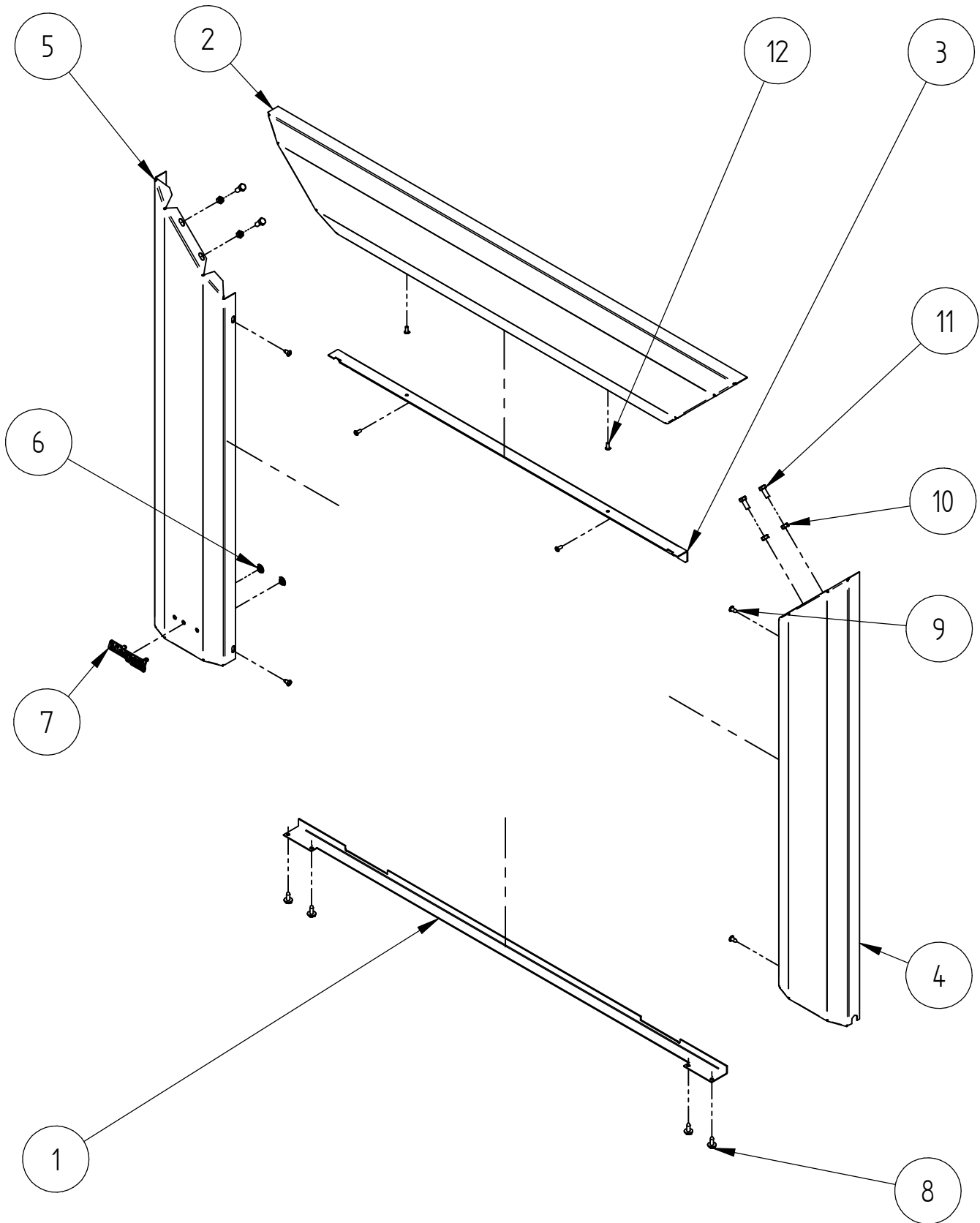


When ordering PLEASE QUOTE PART ID along with Finish Suffix (if applicable)

ZC FASCIA ASSEMBLY				
Item	Part ID	Model(s)	Description	Qty
		995982		
1	990172	P01	STIFFENER FASCIA INBULT 2K	1
2	990173	P01	BRKT- LOCATING, FASCIA MANTLE	1
3	990223	P01	Trim-Fascia, MG5IN	1
4	990242	P01	DEFLECT AIR MG5IN BLU/BLK	1
5	990243	P01	PANEL - TOP FASCIA MG5IN	1
6	990400	P01	Panel - RH, EIS 03	1
7	993135	P01	PANEL - LH, LE5 PROV	1
8	993145	-	SUPPORT ANGLE - ZC BOX LE5 PRO	1
9	993146	P01	VENTED LOWER RAIL -FASCIA ZC LE	1
10	526001	-	CLIP; STARLOCK 4 DIA SLP04	2
11	587835	-	BADGE MASPORT HEATING	1
12	524010	-	RIVET; 73 AS 4-3 LONG	10
13	521646	-	SCREW; S/T 8GX3/8" WAFER PHILLIPS NIC	4

When ordering PLEASE QUOTE PART ID along with Finish Suffix (if applicable)

SLIM FASCIA ASSEMBLY

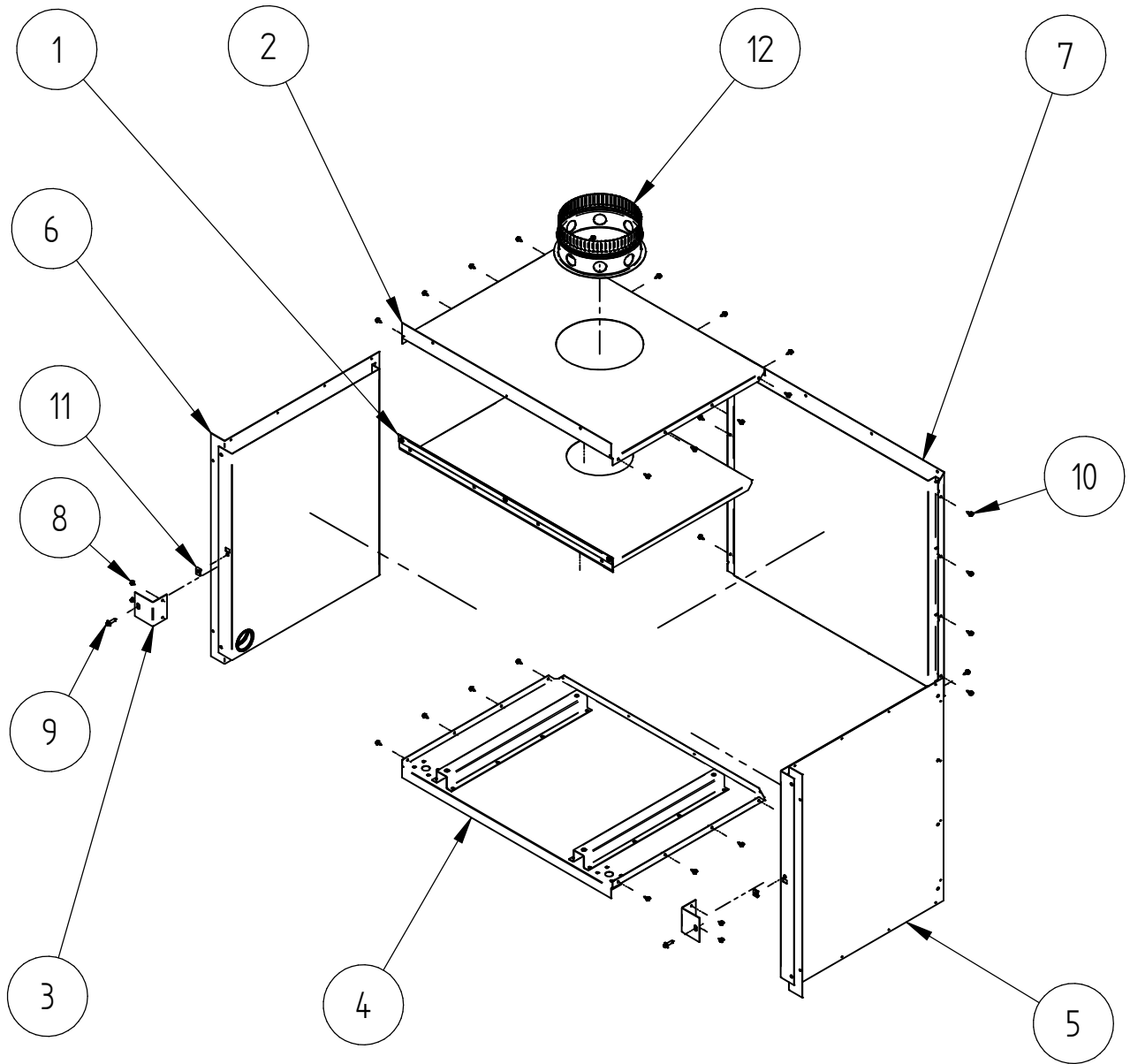


When ordering PLEASE QUOTE PART ID along with Finish Suffix (if applicable)

SLIM FASCIA ASSEMBLY				
Item	Part ID	Model(s)	Description	Qty
		995982		
1	990054	P01	STIFFENER FASCIA, MG5 INBUILT	1
2	990218	P01	TOP - FASCIA, MG5000 INBUILT	1
3	990644	P01	BRKT- BACKING, FASCIA MADRID	1
4	993271	P01	SIDE - FASCIA, RH LE4 PROV BEV	1
5	993272	P01	SIDE - FASCIA, LH LE4 PROV BEV	1
6	526001	-	CLIP; STARLOCK 4 DIA SLP04	2
7	587835	-	BADGE MASPORT HEATING	1
8	521643	-	SCREW; S/T 8GX1/2" HEX POZI BLK	4
9	521646	-	SCREW; S/T 8GX3/8" WAFER PHILLIPS NIC	4
10	522106	-	NUT; HEX STD M5 ZP	4
11	521030	-	SCREW; M5X12 HEX ZP	4
12	524010	-	RIVET; 73 AS 4-3 LONG	4

When ordering PLEASE QUOTE PART ID along with Finish Suffix (if applicable)

ZC ASSEMBLY

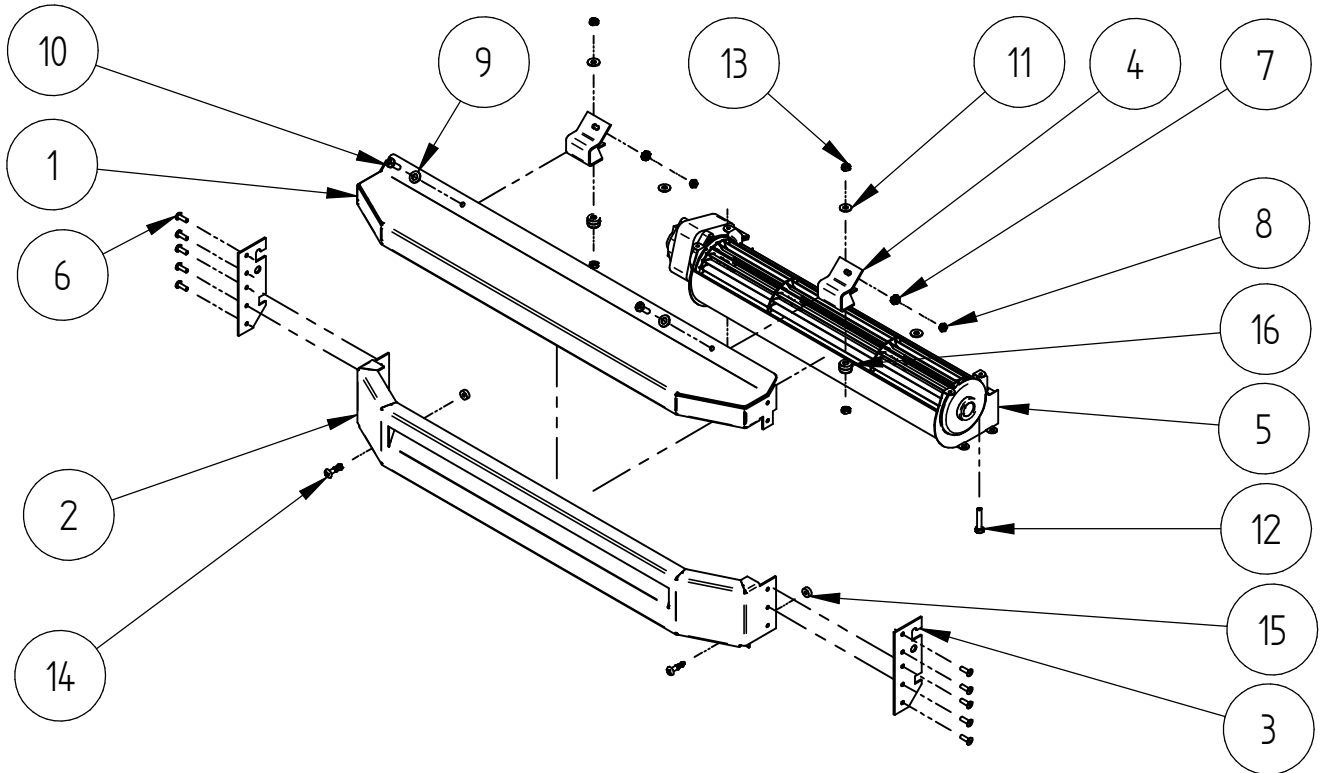


When ordering PLEASE QUOTE PART ID along with Finish Suffix (if applicable)

ZC ASSEMBLY: 995984				
Item	Part ID	Model(s)	Description	Qty
		995982		
1	993161	-	LE4000 Z/C PANEL ASSY TOP	1
2	993249	-	PANEL TOP-ZC BOX LE4 PROV	1
3	995196	-	BRACKET RESTRAINT, ZC K1	2
4	993313	-	LE4000 Z/C PANEL ASSY BOTTOM	1
5	993314	-	LE4000 Z/C PANEL ASSY R/H	1
6	993315	-	LE4000 Z/C PANEL ASSY L/H	1
7	993337	-	LE4000 Z/C PANEL ASSY REAR	1
8	521635	-	SCREW; S/T 10GX3/8" HEX FLANGE BLK	4
9	521637	-	SCREW; S/T 12GX25 TIMBERTITE	2
10	521643	-	SCREW; S/T 8GX1/2" HEX POZI BLK	32
11	522402	-	NUT; SPIRE SNU0537	2
12	595688	-	FLANGE SPIGOT ZC KIT	1

When ordering PLEASE QUOTE PART ID along with Finish Suffix (if applicable)

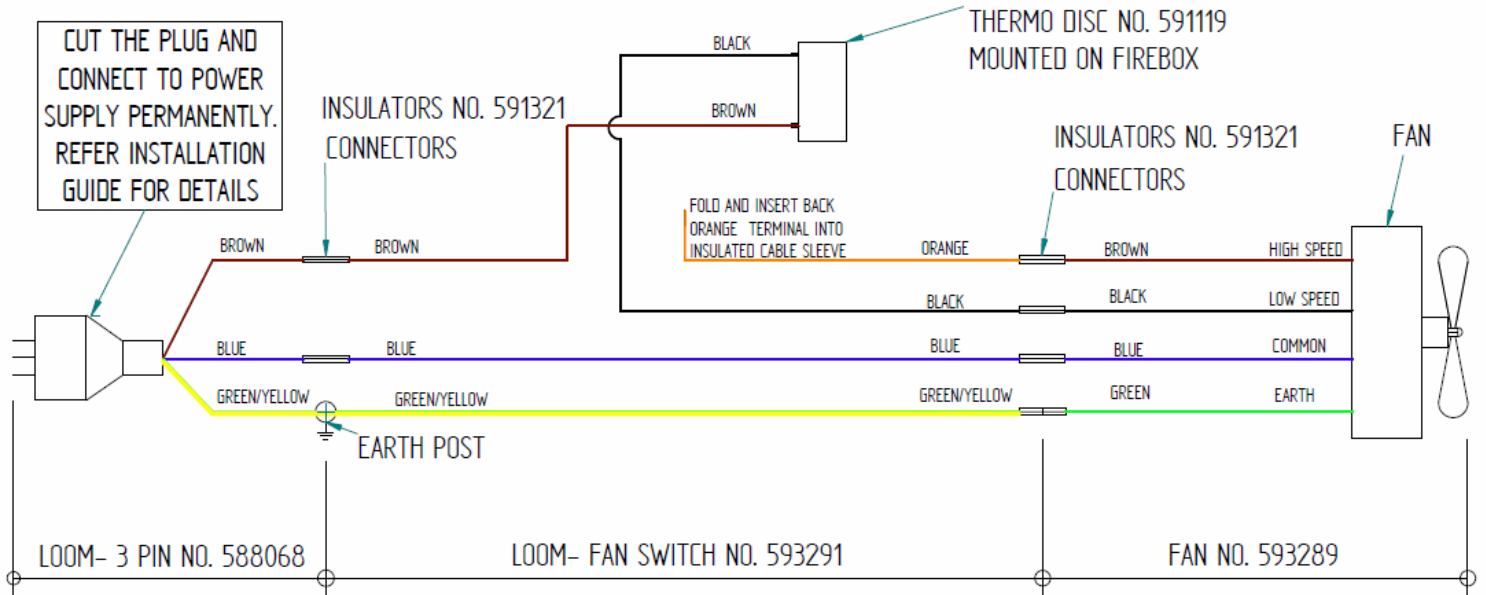
FAN BOX ASSEMBLY



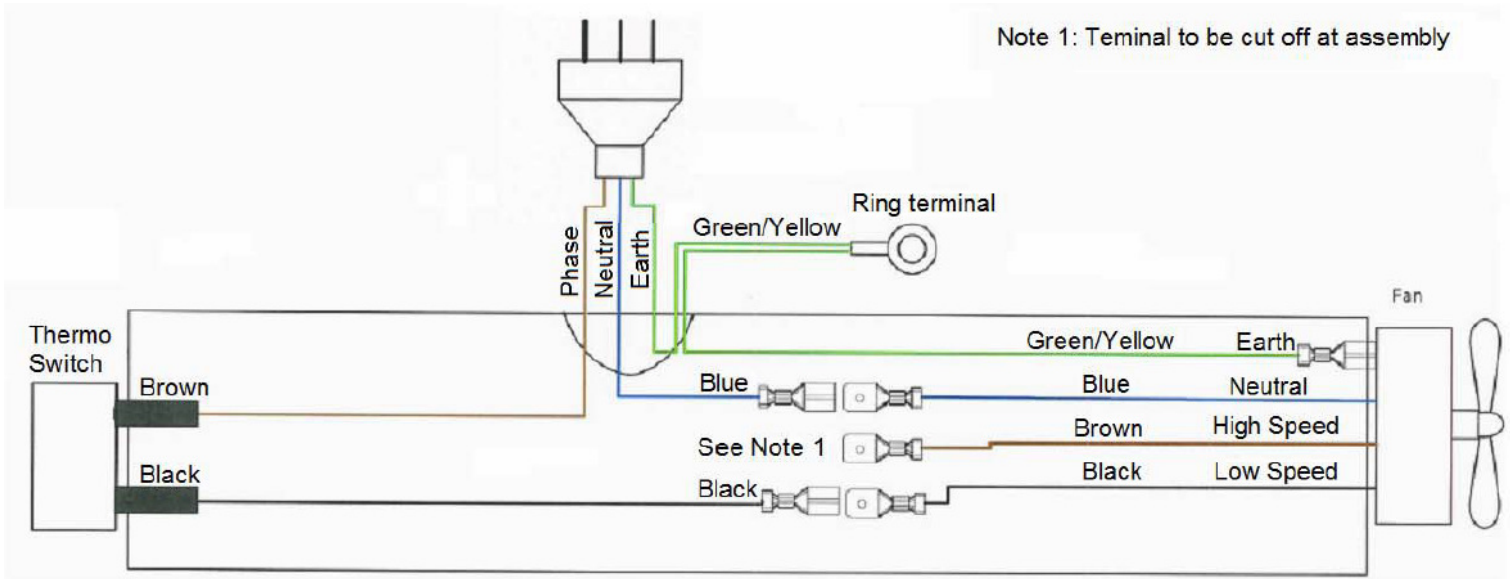
FAN BOX ASSEMBLY: 993244E01				
Item	Part ID	Model(s)	Description	Qty
		995982		
1	993202	E01	FRONT PANEL, LE4 PROV	1
2	993221	E01	FANBOX, LE4 PROV	1
3	995145	-	PLATE-END FANBOX ASSY	2
4	993289	-	FAN BKT, LE4 PROV	2
5	593289	-	FAN-2 SP TANG W/F INB FER GAS 76082	1
6	524006	-	RIVET; 73 AS 5-5	10
7	523205	-	WASHER; STAR M4 EXT	2
8	522106	-	NUT; HEX STD M5 ZP	4
9	523004	-	WASHER; FLAT 1/4"X1/2"X1/16" FIBRE	2
10	521033	-	SCREW; M5X16 PAN POZI BLK	2
11	523000	-	WASHER; FLAT 3/16"X1/2"X18G ZP	4
12	521039	-	SCREW; M5X25 HEX ZP	2
13	522305	-	NUT; NYLOCK M5 ZP	2
14	527900	-	STUD; DZUSSZ 5 265-716-190 BLK	2
15	529404	-	GROMMET; DZUSSZE 5 275-040-400	2
16	529402	-	GROMMET; 14X6	4

When ordering PLEASE QUOTE PART ID along with Finish Suffix (if applicable)

FAN LOOM DIAGRAM



FAN WIRING DIAGRAM W/F FREESTANDING 2011 - 2013



FAN WIRING DIAGRAM W/F FREESTANDING 2013 ONWARDS

When ordering PLEASE QUOTE PART ID along with Finish Suffix (if applicable)

NOT ILLUSTRATED				
Item	Part ID	Models	Descriptions	Qty
		995982		
1	593286	-	OWNER MANUAL WOODFIRES	1
2	593278	-	INSTRUCT- FAN L4000 PROV	1
3	590475	-	INSTRUCTFASCIA INB 04	1
4	590163	-	INSTRUCTFASCIA BEVL MG5INBLT	1
5	593252	-	INSTRUCT ZC KIT LE4 PROV	1

SURFACE FINISH CODES FOR PANELS						
VITREOUS ENAMEL		VHT PAINT(Very High Temp)			POWDER COAT	
E01	MATT BLACK	V02	P-000022	METALLIC BLACK	P02	MATT BLACK
E02	GLOSS BLACK	V03	P-000043	CHARCOAL	P03	CHARCOAL
E03	CHARCOAL	V04	P-000081	TITANIUM	P05	SATIN BLACK
		V05	P-000051	CHARCOAL (DAM MET BLK)	P09	METTALIC BLACK
		V06	P-000052	METALLIC BLACK ZINC		

LESS FREQUENTLY OR OLD SURFACE FINISH CODES FOR PANELS						
VITREOUS ENAMEL		VHT PAINT(Very High Temp)			POWDER COAT	
E04	JASMINE	V01		SATIN BLACK HIGH TEMP	P01	BLUE/BLACK
					P04	GLOSS CHARCOAL
					P07	FLAT BLACK

When ordering PLEASE QUOTE PART ID along with Finish Suffix (if applicable)